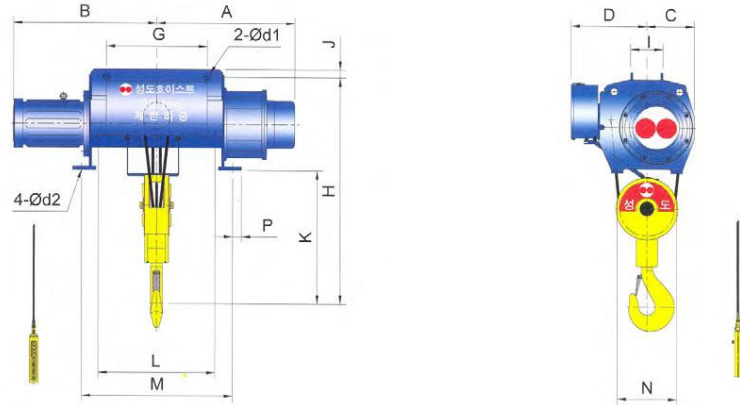


Fixed Mounted Hoist

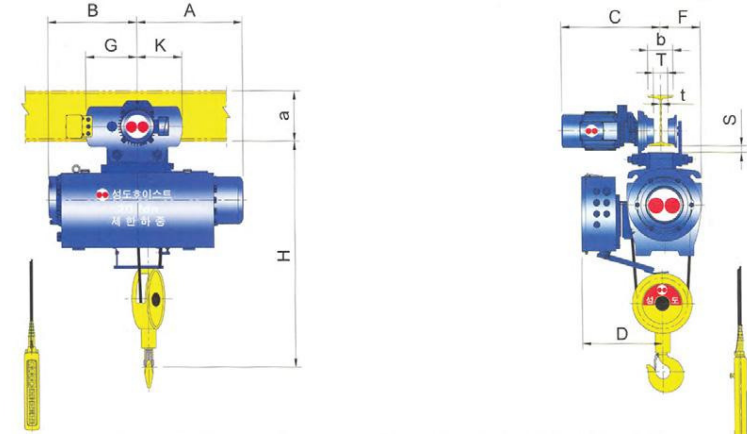
Trust our experience to manage your business



Model		SD 35-F	SD 50-F	SD 60-F	SD 70-F
Capacity (Ton)		35	50	60	70
Type		SD35-H12	SD50-H12	SD60-H12	SD70-H12
Hoist	Maximum Lift (m)	12	12	12	12
	Hoisting Speed (m/min) 50/60 (Hz)	4 / 4.8	2.7 / 3.2	2 / 2.4	2 / 2.4
		33 x 6	33 x 6	33 x 6	33 x 6
	Hoisting Motor (kw x P)	6 x Fi (25), (29)	6 x Fi (25), (29)	6 x Fi (25), (29)	6 x Fi (25), (29)
		28 x 4	28 x 6	28 x 8	28 x 8
	Wire Rope	Construction	6 x 37	6 x 37	6 x 37
Dia.(mm) x No. of Ropes		14 x 4	16 x 4	20 x 4	22.4 x 4
Brake		DC Magnet Disc Brake			
Dimensions (mm) (approx.)	H	1500	1750	1965	1965
	A	1455	1780	2030	2030
	B	1360	1950	2200	2200
	C	560	905	1000	1000
	D	855	1100	1005	1005
	E	1000	1100	1100	1100
	L	1075	1430	1930	1930
	M	1500	2250	2750	2750
N	1000	1600	1600	1600	
Ø d	47	63	63	63	
Weight (approx. - kg)		4200	6000	8200	8200

Monorail Type Hoist

Trust our experience to manage your business



Model		SM 1-M	SM 2-M	SM 2.8-M	SM 3-M	SM 5-M															
Capacity (Ton)		1	2	2.8	3	5															
Type	Hoisting / Traversing Speed	High / High	SM1-H6(12)-MH	SM2-H6(12)-MH	SM2.8-H6(12)-MH	SM3-H6(12)-MH	SM5-H6(12)-MH														
		High / Low	SM1-H6(12)-ML	SM2-H6(12)-ML	SM2.8-H6(12)-ML	SM3-H6(12)-ML	SM5-H6(12)-ML														
		Low / High	SM1-L6(12)-MH	SM2-L6(12)-MH	SM2.8-L6(12)-MH	SM3-L6(12)-MH	SM5-L6(12)-MH														
		Low / Low	SM1-L6(12)-ML	SM2-L6(12)-ML	SM2.8-L6(12)-ML	SM3-L6(12)-ML	SM5-L6(12)-ML														
Hoist	Maximum Lift (m)		6 (12)	6 (12)	6 (12)	6 (12)	6 (12)														
	Hoisting Speed (m/min) 50/60 (Hz)	High Speed	10 / 12	8.4 / 10	7.5 / 9	7.5 / 9	4.7 / 5.6														
		Low Speed	6.6 / 8	5.4 / 6.5	3.7 / 4.5	3.7 / 4.5	3.5 / 4.2														
	Hoisting Motor (kw x P)	High Speed	2.4 x 4	3.7 x 4	5.0 x 4	5.5 x 4	5.5 x 6														
		Low Speed	1.5 x 6	2.5 x 6	2.5 x 8	2.8 x 8	4.2 x 8														
	Wire Rope	Construction	6 x 37	6 x 37	6 x 37	6 x 37	6 x 37														
Dia.(mm) x No. of Ropes		8 x 2	10 x 2	12.5 x 2	12.5 x 2	16 x 2															
Brake		DC Magnet Disc Brake																			
T / S	Traversing Speed (m/min) 50/60 (Hz)	High Speed	20 / 24	20 / 24	20 / 24	20 / 24	20 / 24														
		Low Speed	13 / 16	13 / 16	13 / 16	13 / 16	13 / 16														
	Traversing Motor (kw x P)	High Speed	0.4 x 4	0.75 x 4	0.75 x 4	0.75 x 4	0.75 x 4														
		Low Speed	0.2 x 6	0.5 x 6	0.5 x 6	0.5 x 6	0.5 x 6														
Dimensions (mm) (approx.)	H	815	980	1115	1115	1325															
	A	400 (500)	470 (570)	520 (620)	520 (620)	625 (715)															
	B	380 (480)	430 (530)	455 (555)	455 (555)	525 (615)															
	D	290	320	365	365	420															
	G	255	260	260	260	276															
	K	200	225	225	225	276															
	a x b x t	C	F	S	T	C	F	S	T	C	F	S	T	C	F	S	T				
I-Beam and Spacing (mm)	200 X 100 X 7	385	160	38	46	440	195	35	47	-	-	-	-	-	-	-	-	-			
	250 X 125 X 7.5	385	160	37	71	445	195	34	72	445	200	34	72	445	200	34	72	470	240	45	60
	300 X 150 X 10	410	160	37	96	465	195	29	97	465	200	34	97	465	200	34	97	480	240	45	85
Min. Radius of Curvature (m)		1.5		1.8		1.8		1.8		1.8		1.8		2.3		2.3					
Weight (approx. - kg)		190 (218)		278 (314)		374 (418)		374 (418)		580 (642)		580 (642)									

- Note 1. Figures in () are for hoists of 12m lift
 2. The size of I-Beam in section is standard for each model. Other I-Beam can also be used (spacer).
 3. If there is a curved beam then there should be indication in advance.