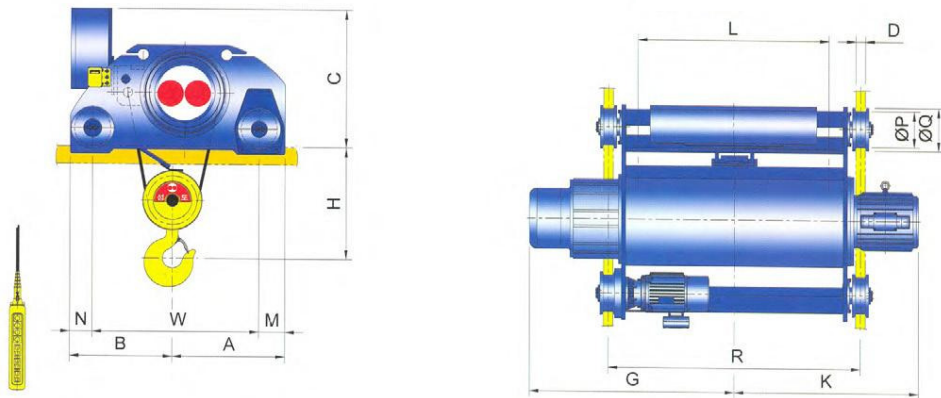


# Doublerrail Type Hoist

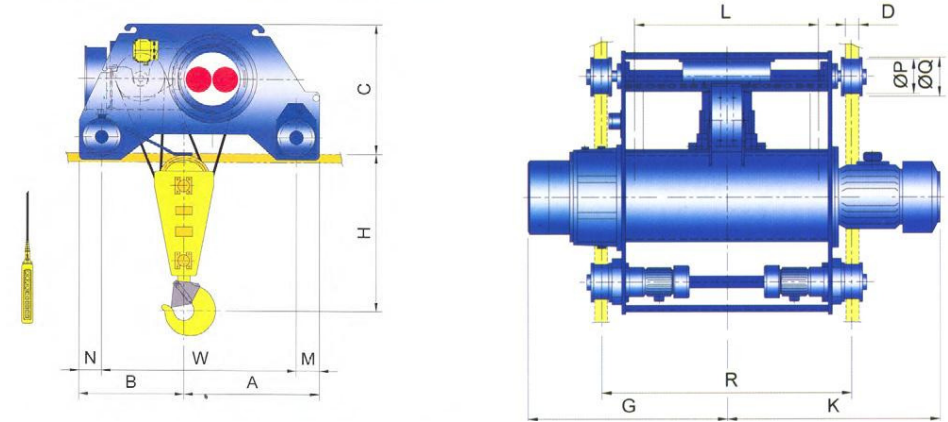
Trust our experience to manage your business



| Model                     |                             | SD 7.5-M                | SD 10-M              | SD 15-M     | SD 20-M     | SD 30-M     |             |
|---------------------------|-----------------------------|-------------------------|----------------------|-------------|-------------|-------------|-------------|
| Capacity (Ton)            |                             | 7.5                     | 10                   | 15          | 20          | 30          |             |
| Type                      | Hoisting / Traversing Speed | High / High             | SD7.5-H12-MH         | SD10-H12-MH | SD15-H12-MH | SD20-H12-MH | SD30-H12-MH |
|                           |                             | High / Low              | SD7.5-H12-ML         | SD10-H12-ML | SD15-H12-ML | SD20-H12-ML | SD30-H12-ML |
|                           |                             | Low / High              | SD7.5-L12-MH         | SD10-L12-MH | SD15-L12-MH | SD20-L12-MH | SD30-L12-MH |
|                           |                             | Low / Low               | SD7.5-L12-ML         | SD10-L12-ML | SD15-L12-ML | SD20-L12-ML | SD30-L12-ML |
| Hoist                     | Maximum Lift (m)            |                         | 12                   | 12          | 12          | 12          | 12          |
|                           |                             | High Speed 50/60 (Hz)   | 3.1 / 3.8            | 3.7 / 4.5   | 3.5 / 4.2   | 3.5 / 4.2   | 2.3 / 2.8   |
|                           | Hoisting Speed (m/min)      | Low Speed 50/60 (Hz)    | 2.3 / 2.8            | 2.5 / 3     | 2.3 / 2.8   | 2.3 / 2.8   | 1.5 / 1.8   |
|                           |                             | Hoisting Motor (kw x P) | High Speed           | 5.5 x 6     | 9 x 8       | 13 x 8      | 17 x 8      |
|                           | Low Speed                   |                         | 4.2 x 8              | 6 x 12      | 8.5 x 12    | 11.5 x 12   | 11.5 x 12   |
|                           | Wire Rope                   | Construction            | 6 x 37               | 6 x 37      | 6 x 37      | 6 x 37      | 6 x 37      |
|                           |                             | Dia.(mm) x No. of Ropes | 14 x 4               | 16 x 4      | 20 x 4      | 22.4 x 4    | 22.4 x 6    |
|                           | Brake                       |                         | DC Magnet Disc Brake |             |             |             |             |
| T/S                       | Traversing Speed (m/min)    | High Speed 50/60 (Hz)   | 12.5 / 15            | 12.5 / 15   | 12.5 / 15   | 12.5 / 15   | 12.5 / 15   |
|                           |                             | Low Speed 50/60 (Hz)    | 8.3 / 10             | 8.3 / 10    | 8.3 / 10    | 8.3 / 10    | 8.3 / 10    |
| Traversing Motor (kw x P) | High Speed                  | 0.75 x 4                | 0.75 x 4             | 1.5 x 4     | 1.5 x 4     | 2 x 1.5 x 4 |             |
|                           | Low Speed                   | 0.5 X 6                 | 0.5 X 6              | 1.0 X 6     | 1.0 X 6     | 2 x 1.0 X 6 |             |
| Dimensions (mm) (approx.) | H                           | 730                     | 775                  | 1175        | 1175        | 1480        |             |
|                           | R                           | 1150                    | 1150                 | 1200        | 1300        | 1800        |             |
|                           | A                           | 510                     | 565                  | 670         | 670         | 930         |             |
|                           | B                           | 495                     | 510                  | 610         | 610         | 950         |             |
|                           | C                           | 645                     | 680                  | 910         | 910         | 980         |             |
|                           | G                           | 925                     | 990                  | 1110        | 1145        | 1405        |             |
|                           | K                           | 835                     | 955                  | 1170        | 1220        | 1480        |             |
|                           | W                           | 800                     | 865                  | 1000        | 1000        | 1540        |             |
|                           | D                           | 58                      | 58                   | 58          | 58          | 70          |             |
|                           | L                           | 850                     | 850                  | 870         | 935         | 1420        |             |
|                           | M                           | 110                     | 110                  | 140         | 140         | 180         |             |
|                           | N                           | 95                      | 100                  | 140         | 140         | 160         |             |
|                           | Ø P                         | 165                     | 165                  | 220         | 220         | 250         |             |
|                           | Ø Q                         | 195                     | 195                  | 250         | 250         | 280         |             |
| Weight (approx. - kg)     |                             | 900                     | 1200                 | 1850        | 2300        | 3450        |             |
| Traversing Rail (kg/m)    |                             | 15                      | 15                   | 22          | 22          | 30          |             |

# Doublerrail Type Hoist

Trust our experience to manage your business



| Model                     |                                   | SD 35-M               | SD 50-M           | SD 60-M           | SD 70-M           |                   |
|---------------------------|-----------------------------------|-----------------------|-------------------|-------------------|-------------------|-------------------|
| Capacity (Ton)            |                                   | 35                    | 50                | 60                | 70                |                   |
| Type                      | Traversing Speed                  | High Speed            | SD35-H12-MH       | SD50-H12-MH       | SD60-H12-MH       | SD70-H12-MH       |
|                           |                                   | Low Speed             | SD35-H12-ML       | SD50-H12-ML       | SD60-H12-ML       | SD70-H12-ML       |
| Hoist                     | Maximum Lift (m)                  |                       | 12                | 12                | 12                | 12                |
|                           | Hoisting Speed (m/min) 50/60 (Hz) |                       | 4 / 4.8           | 2.7 / 3.2         | 2 / 2.4           | 2 / 2.4           |
|                           | Hoisting Motor (kw x P)           |                       | 33 x 6            | 33 x 6            | 33 x 6            | 33 x 6            |
|                           | Wire Rope                         | Construction          | 6 x Fi (25), (29) | 6 x Fi (25), (29) | 6 x Fi (25), (29) | 6 x Fi (25), (29) |
| Dia.(mm) x No. of Ropes   |                                   | 28 x 4                | 28 x 6            | 28 x 8            | 28 x 8            |                   |
| Brake                     |                                   | DC Magnet Disc Brake  |                   |                   |                   |                   |
| T / S                     | Traversing Speed (m/min)          | High Speed 50/60 (Hz) | 12.5 / 15         | 12.5 / 15         | 12.5 / 15         | 12.5 / 15         |
|                           |                                   | Low Speed 50/60 (Hz)  | 8.3 / 10          | 8.3 / 10          | 8.3 / 10          | 8.3 / 10          |
| Traversing Motor (kw x P) | High Speed                        | 2.2 x 4               | 2 x 2.2 x 4       | 2 x 2.2 x 4       | 2 x 3.7 x 4       |                   |
|                           | Low Speed                         | 1.5 x 6               | 2 x 1.5 x 6       | 2 x 1.5 x 6       | 2 x 2.2 x 6       |                   |
| Dimensions (mm) (approx.) | H                                 | 1490                  | 1750              | 1965              | 1965              |                   |
|                           | R                                 | 1600                  | 2300              | 2800              | 2800              |                   |
|                           | A                                 | 1025                  | 1432              | 1525              | 1525              |                   |
|                           | B                                 | 955                   | 1243              | 1150              | 1150              |                   |
|                           | C                                 | 1015                  | 1220              | 1220              | 1220              |                   |
|                           | G                                 | 1455                  | 1780              | 2030              | 2030              |                   |
|                           | K                                 | 1550                  | 1950              | 2200              | 2200              |                   |
|                           | W                                 | 1550                  | 2125              | 2125              | 2075              |                   |
|                           | D                                 | 70                    | 80                | 80                | 80                |                   |
|                           | L                                 | 1044                  | 1430              | 1930              | 1930              |                   |
|                           | M                                 | 215                   | 275               | 275               | 300               |                   |
|                           | N                                 | 215                   | 275               | 275               | 300               |                   |
|                           | ØP                                | 355                   | 450               | 450               | 500               |                   |
|                           | ØQ                                | 395                   | 490               | 490               | 540               |                   |
| Weight (approx. - kg)     |                                   | 5200                  | 7000              | 8500              | 9000              |                   |
| Traversing Rail (kg/m)    |                                   | 37                    | 50                | 50                | 50                |                   |