

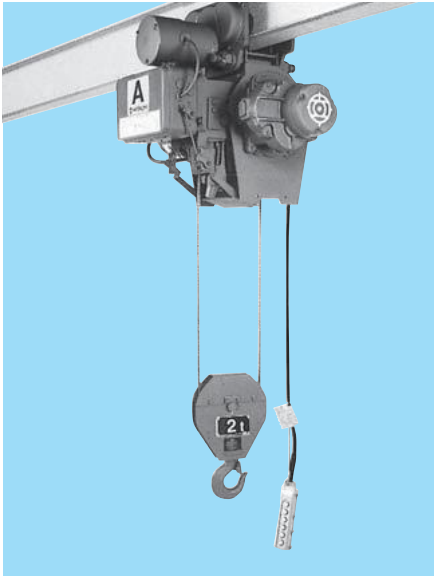
A-series HOIST with Motorized Trolley

Standard Headroom Type Hoist

(With suspension/chain-driven and motorized trolley)

This is an orthodox type of hoist widely utilized for general purposes. It boasts high performance for use in rugged jobs such as general production in factories, mining, railroads, and warehouses.

Standard - Headroom Type Hoist



Specifications

Capacity (t)		1		2		3	
Hoisting lift (m)		6 and 12					
Hoisting	Speed (m/min)	50Hz		6		5	
		60Hz		7		6	
	Motor (kW)	50Hz		2.1		2.6	
		60Hz		2.4		3.1	
No. of poles		4					
Traversing	Speed (m/min)	50Hz		21			
		60Hz		25			
	Motor (kW)	50Hz		0.30		0.45	
		60Hz		0.36		0.55	
No. of poles		4					
Wire rope	No. of falls		2				
	Composition		6×Fi (29)-B				
	Diam. (mm)		φ 8		φ 11.2		φ 14
Rating		25% ED 250 Starts/h					
Operating method		Floor-controlled Pushbutton operation					
Electric source (3 phase)		200V 50/60Hz, 220V 60Hz, 380-400V 50Hz, 415V 50Hz, 440-460V 60Hz					
Control voltage (V)		24 — 27					

Dimensions

Suspension Type Hoist

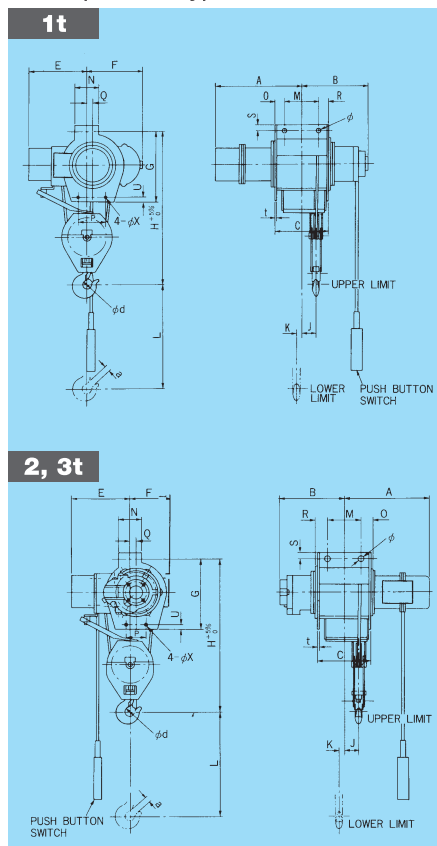




Table of Dimensions

Model	1AM ₆	1HAM ₆	2AM ₇	2HAM ₇	3AM ₆	3HAM ₆	
Capacity (t)	1		2		3		
Approx. dimensions (mm)	L	6,000	12,000	6,000	12,000	6,000	12,000
	H	710		910		1,050	
	A	480	650	545	580	565	605
	B	350	385	435	615	460	640
	M	200		200		200	
	φ	26		36		36	
	N	139		139		164	
	E	345		400		460	
	F	255		220		245	
	φ d	45		56		71	
	a	23		36		42	
	J	85	115	75	100	80	110
	K	20	90	30	110	35	120
	O	47	217	56	91	65	106
	R	47	80	58	237	79	262
	Q	32.5		35.5		41.5	
	S	35	40	35		35	
	C	294	497	314	528	344	568
	t	9		9		9	
	G	390		500		555	
P	120		120		180		
U	28		28		35		
φ X	10		10		14		
Approx. weight (kg)	115	125	190	210	230	255	
Push-button indication			 				

Standard Headroom Type Hoist

Dimensions Standard-Headroom Type with Motorized Trolley

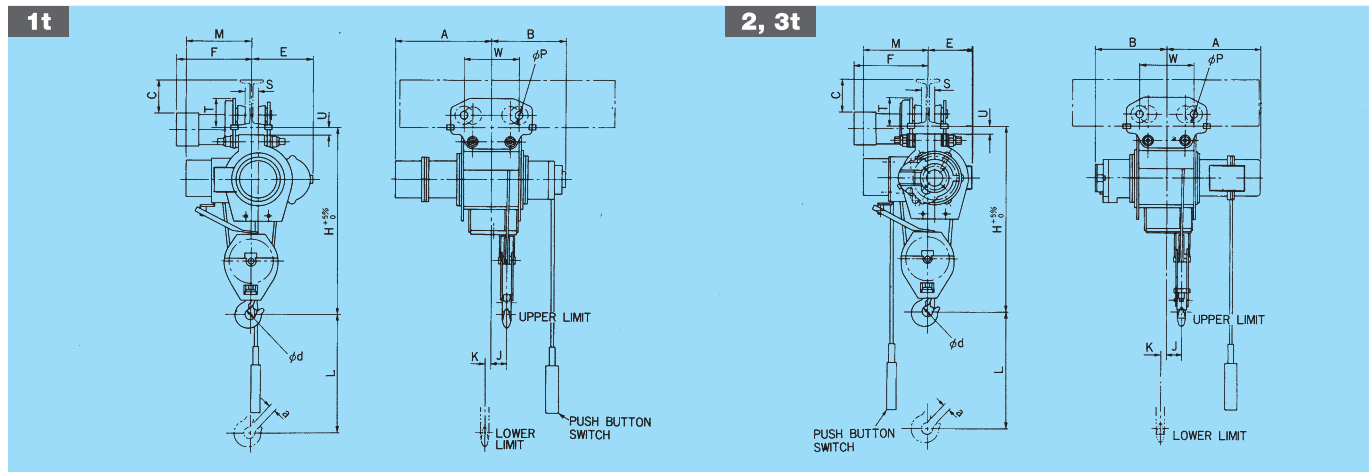


Table of Dimensions

Model	1AM-T ₆₅					1HAM-T ₆₅					2AM-T ₇₅					2HAM-T ₇₅					3AM-T ₆₅					3HAM-T ₆₅					
Hoist type	1AM ₆					1HAM ₆					2AM ₇					2HAM ₇					3AM ₆					3HAM ₆					
Trolley type	1T ₅					1T ₅					2T ₅					2T ₅					3T ₅					3T ₅					
Capacity (t)	1										2										3										
Approx. dimensions (mm)	L	6,000					12,000					6,000					12,000					6,000					12,000				
	H	790										985										1,115									
	A	480					650					545					580					565					605				
	B	350					385					435					615					460					640				
	M	345										400										460									
	W	200/290										200/290										230/310									
	K	20					90					30					110					35					120				
	J	85					115					75					100					80					110				
	E	255										220										245									
	φ d	45										56										71									
	φ p	96										96										128									
a	23										36										42										
Min. curve Radius (m)	1.5										1.8										2.0										
I- Beam Dimensions (mm)	F	S	T	U	C	F	S	T	U	C	F	S	T	U	C	F	S	T	U	C											
	200×100×7	374	42	148	47 (42)	135	378	42	148	42	135																				
	250×125×7.5	387	67	151	44 (39)	185	391	67	151	39	185	417	52	177	38	180															
	300×150×11.5	400	92	160	35 (30)	225	404	92	160	30	225	430	77	187	28	220															
	450×175×11											443	102	185	30	370															
Approx. weight (kg)	165					175					255					275					320					345					
Push-button indication																															

NOTES : 1. Dimensions W are for the drive side/driven side.
 2. Unless otherwise specified trolley is being assembled so as to meet smudged I-beam size.
 3. () dimensions represent dimensions of 1HAM₆ (Hoist type)